



6.3 cu. ft. Dual Fuel Slide-in Range

- Dual Fuel Range
- ProBake Convection®
- EasyClean® + Self Clean
- 18.5k BTU Power Burner
- Glass Touch Controls
- Slide-in Design
- 6.3 cu. ft. Large Capacity
- Storage Drawer
- LG ThinQ® Technology (Wi-Fi)



COLOR AVAILABILITY

- LSD4913ST – Stainless Steel

CAPACITY

Oven Capacity	6.3 cu. ft.
Drawer Capacity	0.8 cu. ft.

OVEN FEATURES

Convection System	ProBake Convection®
Oven Cooking Modes	Bake, Convection Bake, Convection Roast, Speed Roast, Warm, Proof, Broil High, Broil Low, Remote Start, Delayed Timed Cook, Timed Cook
Air Sous Vide	No
Built-in Air Fry	No
Temperature Probe	No
Oven Racks	3 Standard
Number of Rack Positions	7
Broil Element (Watts)	4,200 W
Convection (Watts)	2,500 W
Convection Conversion	Yes
EasyClean®	Yes
Self Clean	Yes
GoCook Smart Oven Light	Yes (1)
Door Lock	Yes
Automatic Safety Shut-Off	After 12 Hours

DRAWER FEATURES

Type	Storage
------	---------

COOKTOP FEATURES

Cooktop Type	Sealed
Number of Burners	5
Burner BTU (NG / LP)	
Left Front	12,000 / 10,000
Left Rear	9,100 / 9,100
Center	10,000 / 10,000 (Oval)
Right Front	18,500 / 12,500 (UltraHeat™)
Right Rear	5,000 / 5,000
Cooktop Burner Grate Material	Cast Iron
Continuous Grates	Yes

CONTROLS

Cooktop Control Type	Front Tilt-Control Knobs (Weighted)
Oven Control Type	Glass Touch
Display	VFD (White)
Language	English
Kitchen Timer	Yes
Timed Cook	Yes
Clock	12 Hr or 24 Hr (Option)
Temperature Unit of Measure	°F or °C
Cooking Complete Reminder Volume	High, Low, Off
Oven Control Lock	Yes

CONVENIENCE

ADA Compliant	No
Sabbath Mode	Yes (Star-K-Certified)

SMART FEATURES

Wi-Fi Enabled	Yes
ThinQ®	Yes
Proactive Customer Care	Yes
Voice Control	Amazon Alexa, Google Assistant
SmartDiagnosis™	Yes
3rd Party Recipe App	Yes (Tovala, Innit and SideChef)

FINISHES AND APPEARANCE

Fingerprint & Smudge Resistant Exterior	No
Cooktop Finish	Stainless Steel
Handle / Knobs	Stainless Steel Appearance
Oven Door Feature	WideView™ Window

TECHNICAL SPECS

Fuel Type	Electric / NG / LP
Required Power Supply	120 / 208-240 V, 60 Hz, 3-Wire or 4-Wire
Minimum Circuit Rating	40 Amp
kW Rating at 208V	3.2 kW
kW Rating at 240V	4.2 kW
Power Cord Type	Not Included
Electrical Receptacle	4-Wire (14-50R) / 3-Wire (10-50R)
Power Outlet Location	See Installation Diagram
Gas Supply Location	See Installation Diagram

INCLUDED ACCESSORIES

3 Standard Racks, Griddle, Rear Filler Kit, EasyClean® Kit (Spray Bottle & Scouring Pad), LP Conversion Kit

OPTIONAL ACCESSORIES

Slide-in Range Filler Kit (Side Gaps) LSFL301S

DIMENSIONS / CLEARANCES / WEIGHTS

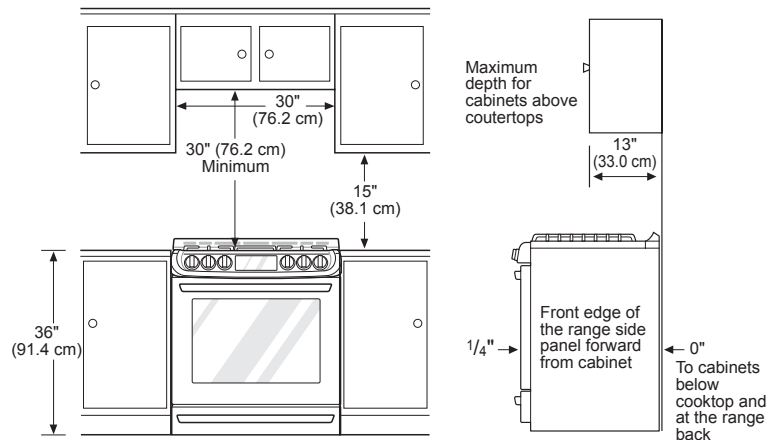
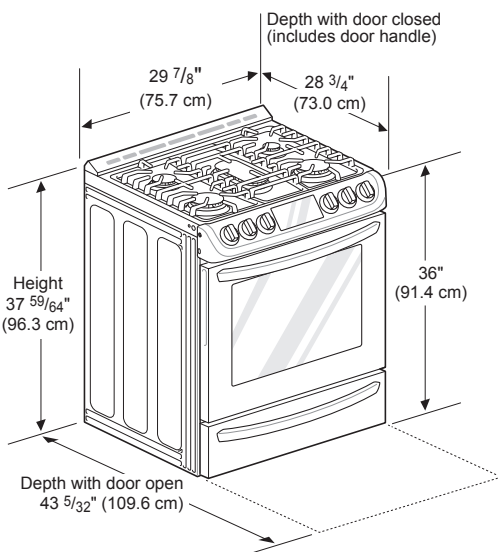
Product Dimensions (W x H x D w/Handle)	29 7/8" x 37 7/8" x 28 15/16"
Product Height to Cooking Surface	36"
Cutout Dimensions (W x H x D)	30" x 36" x 25"
Carton Dimensions (W x H x D)	32 31/32" x 44" x 30 17/32"
Approx. Weight (Product / Carton)	194 lbs. / 224 lbs.

LIMITED WARRANTY

Parts and Labor	1 Year
-----------------	--------

DIMENSIONS / CLEARANCES

Provide proper clearance between the range and adjacent combustible surfaces. These dimensions must be met for safe use of your range. The location of the electrical outlet and pipe opening may be adjusted to meet specific requirements. The range may be placed with 0" clearance (flush) at the back wall.



GAS PIPE AND ELECTRICAL OUTLET LOCATIONS

